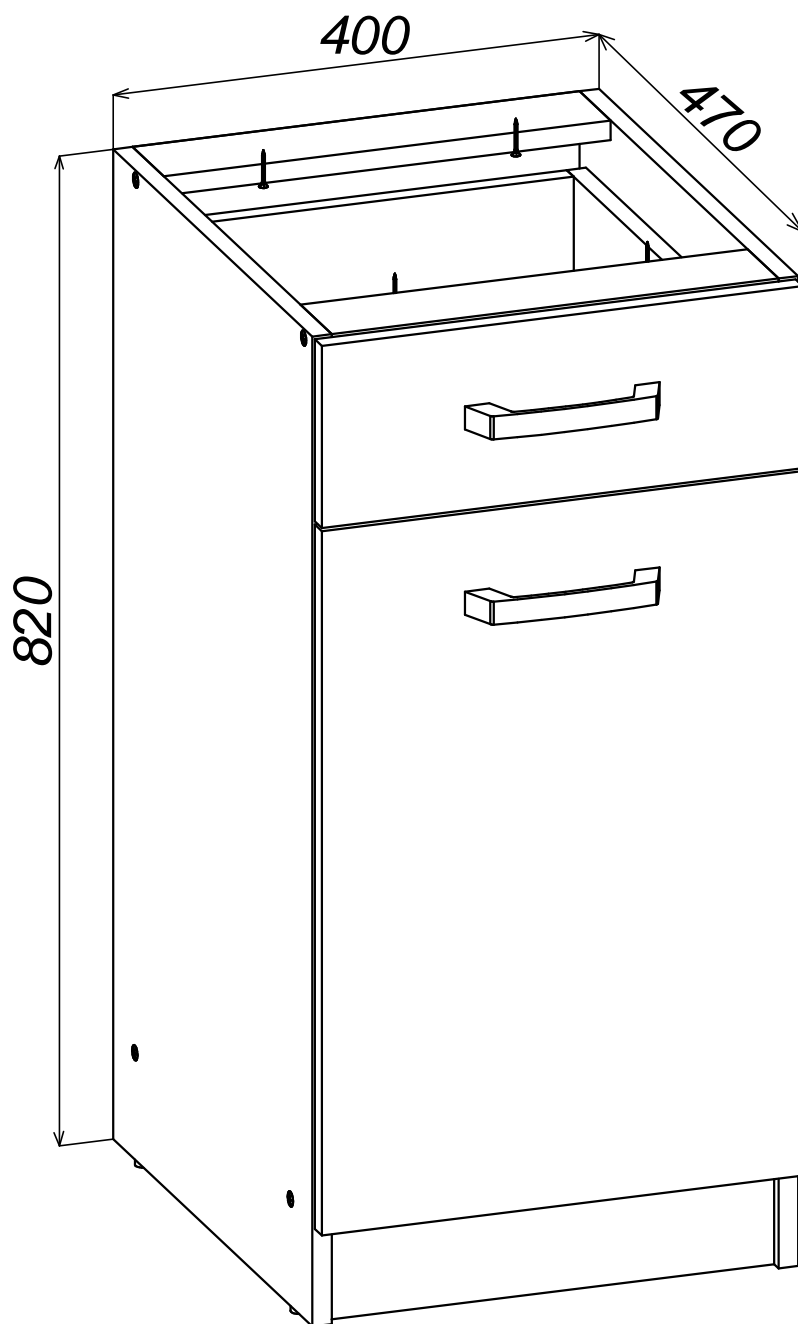
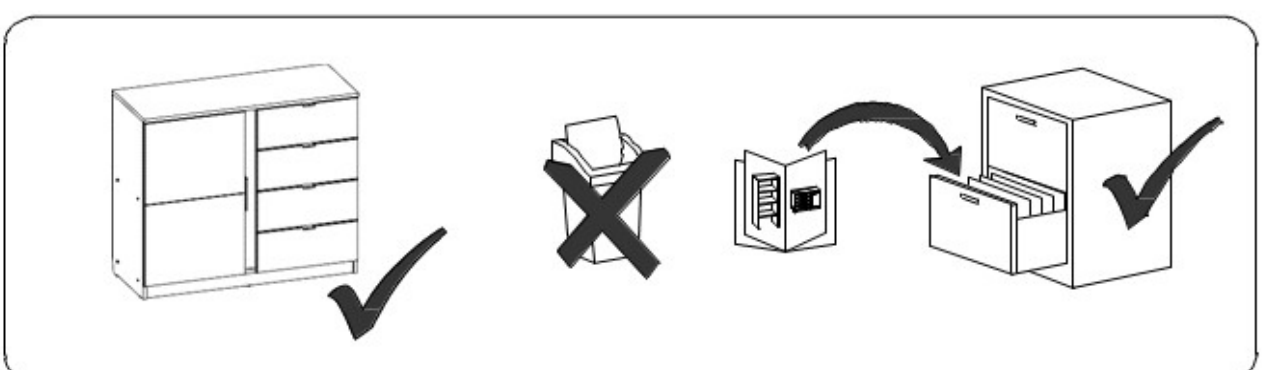
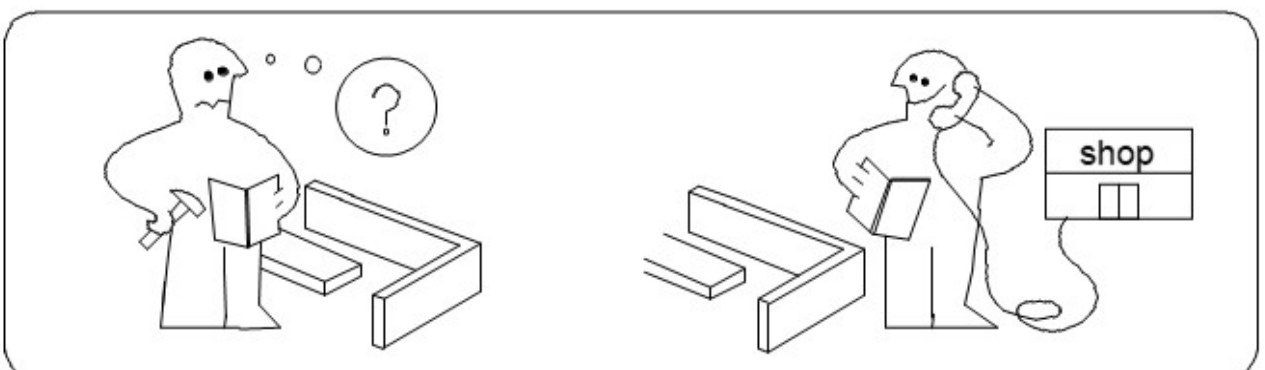
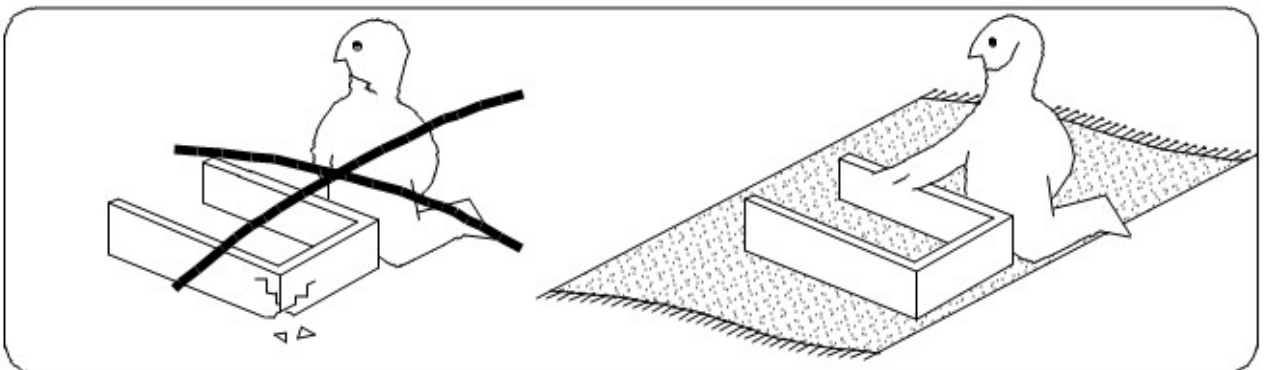
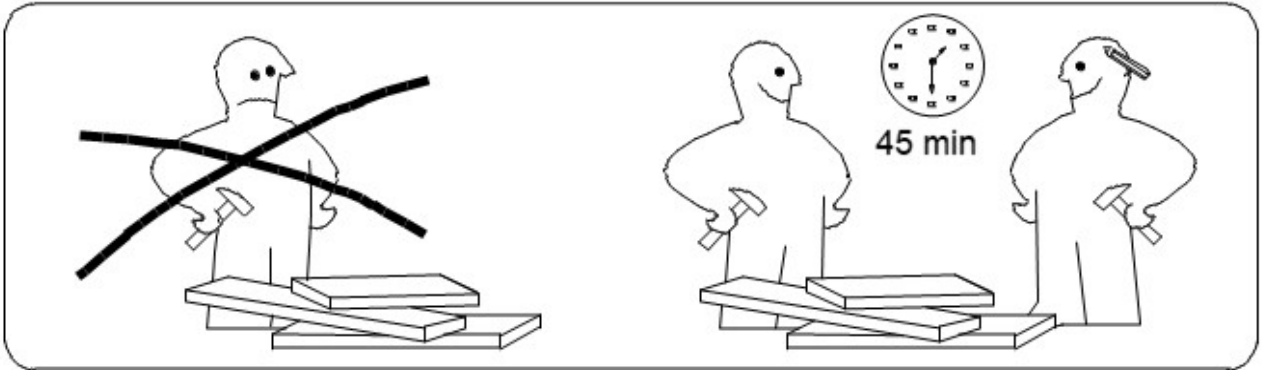
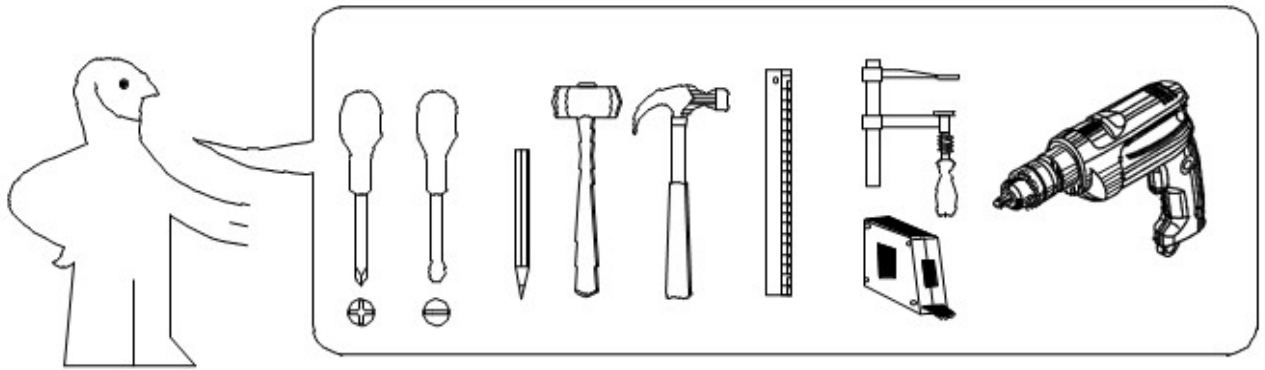
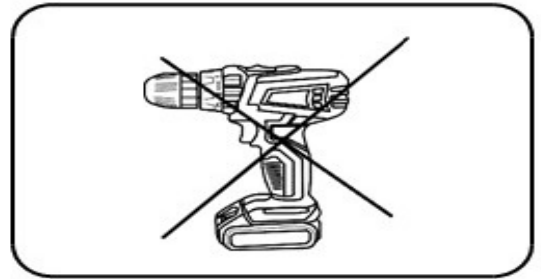
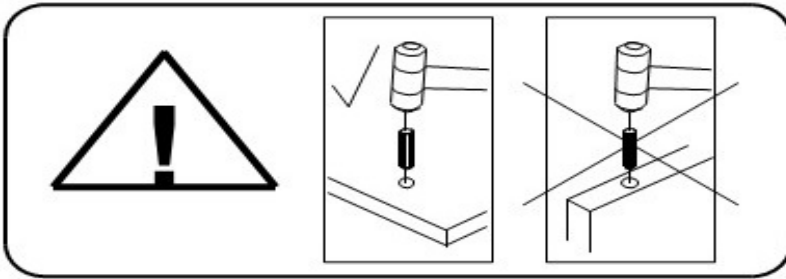




















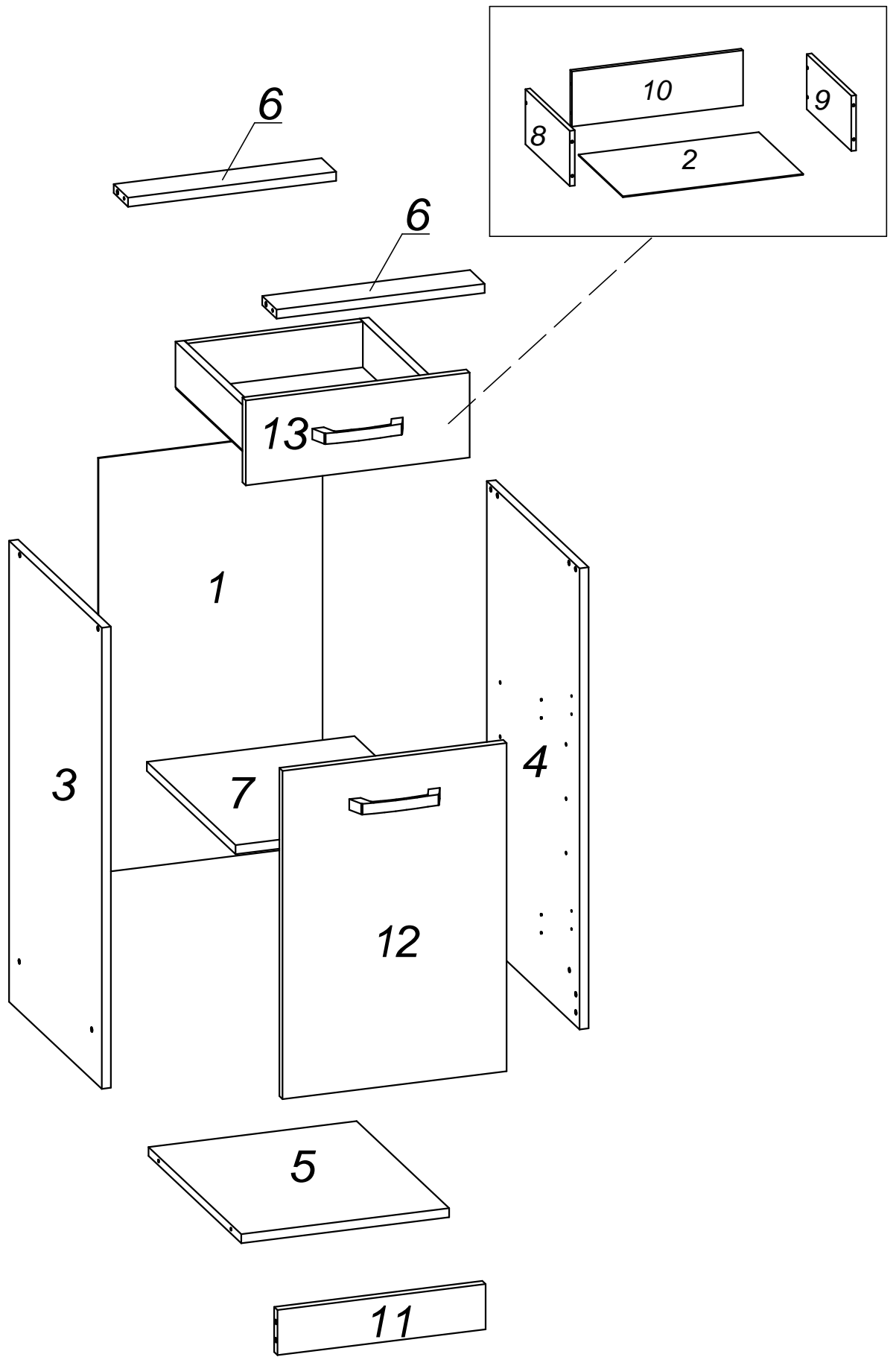
*Кухня Латрис*  
*DN№40 (400x820)*



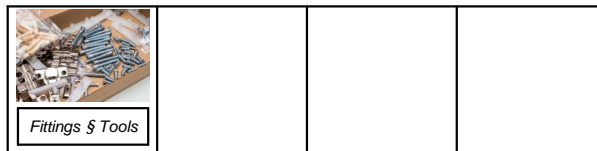
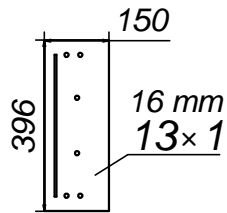
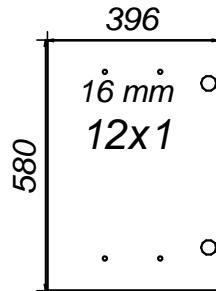
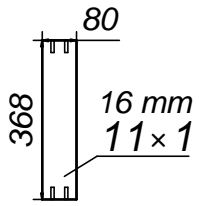
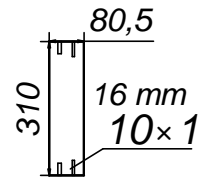
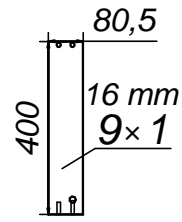
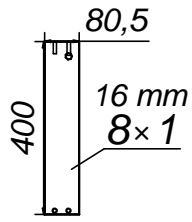
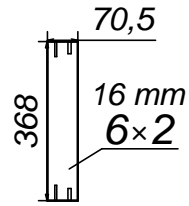
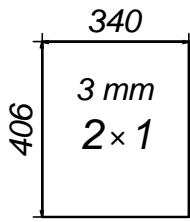
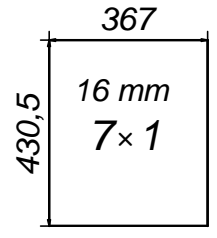
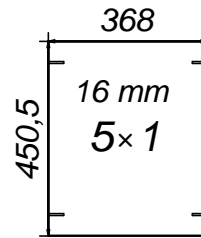
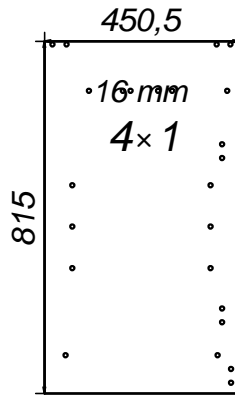
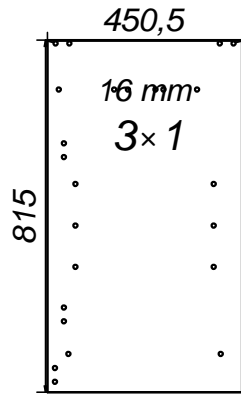
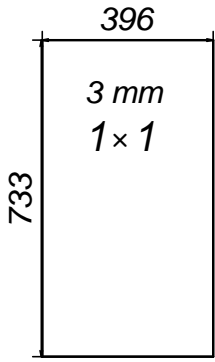




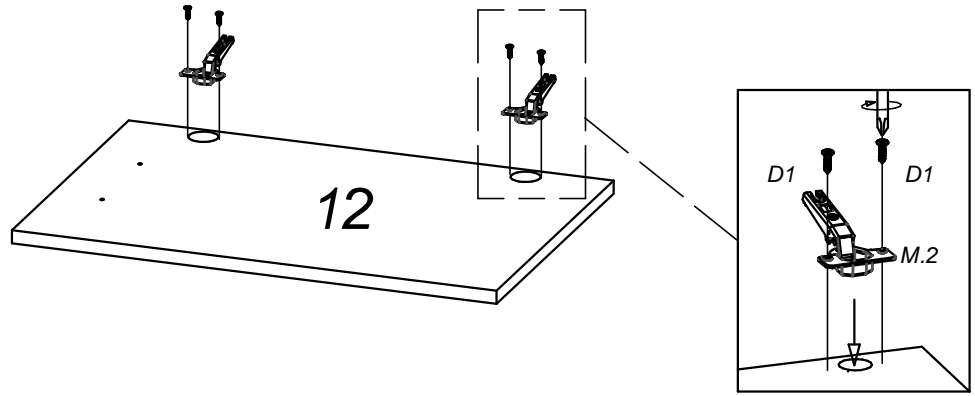
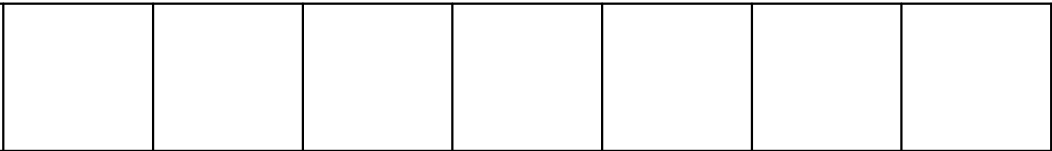
 $\varnothing 6,3 \times 50 \text{ mm}$ <b>A1 x 10</b>	 $\varnothing 12 \text{ mm}$ <b>A2 x 10</b>	 4 mm <b>A3 x 1</b>	 $\varnothing 15 \times 12 \text{ mm}$ <b>B1 x 2</b>	 $\varnothing 5 \times 44 \text{ mm}$ <b>B2 x 2</b>
 $\varnothing 20 \text{ mm}$ <b>B3 x 2</b>	 $\varnothing 4 \times 16 \text{ mm}$ <b>D1 x 14</b>	 $\varnothing 4 \times 30 \text{ mm}$ <b>D2 x 4</b>	 $\varnothing 4 \times 30 \text{ mm}$ <b>D3 x 4</b>	 $\varnothing 3 \times 16 \text{ mm}$ <b>D4 x 6</b>
 $\varnothing 1,6 \times 25 \text{ mm}$ <b>F x 55</b>	 $\varnothing 8 \times 36 \text{ mm}$ <b>G x 12</b>	 <b>H x 2</b>	 400 mm <b>K x 1</b>	 <b>L x 4</b>
 <b>M x 2</b>	 $\varnothing 15 \text{ mm}$ <b>N x 4</b>	 $\varnothing 8 \times 30 \text{ mm}$ <b>T x 2</b>		



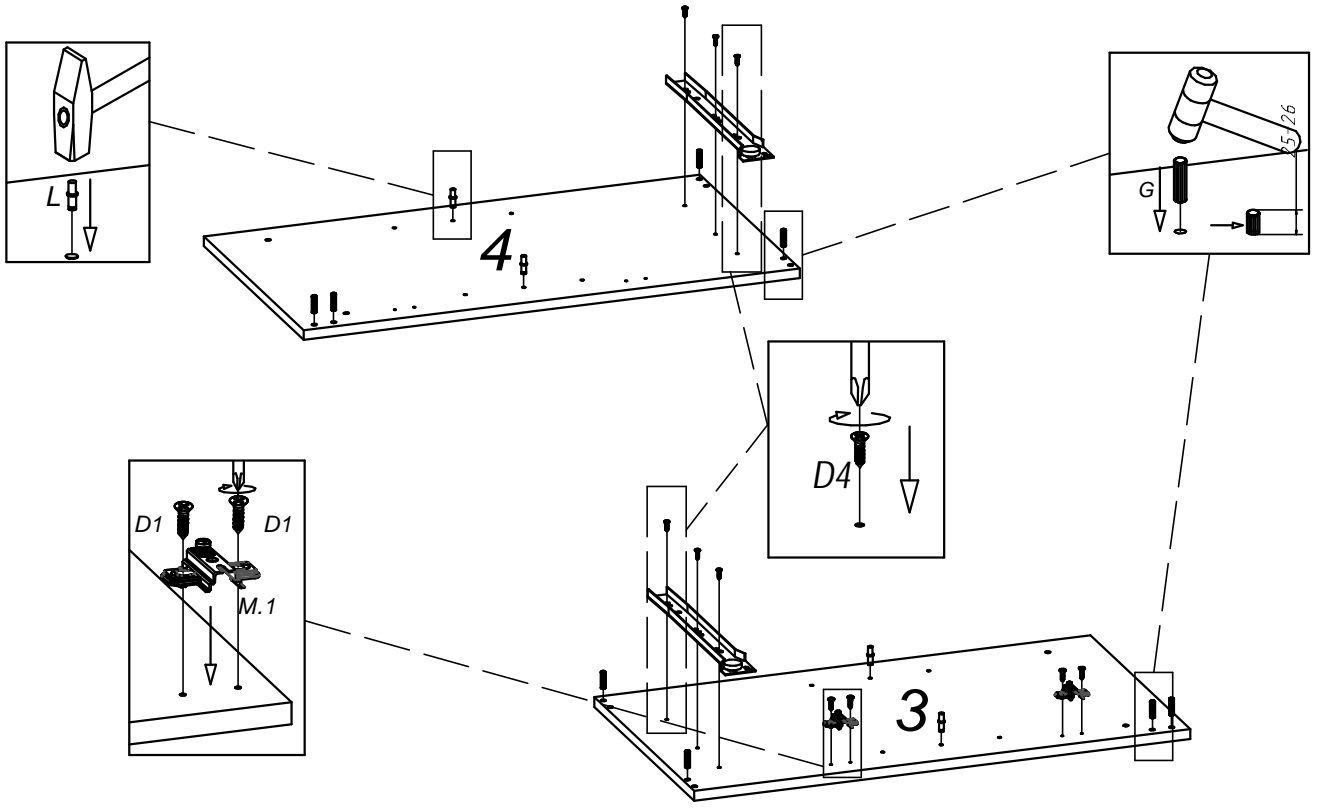
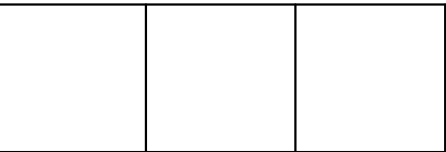
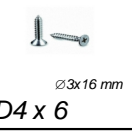
# Box



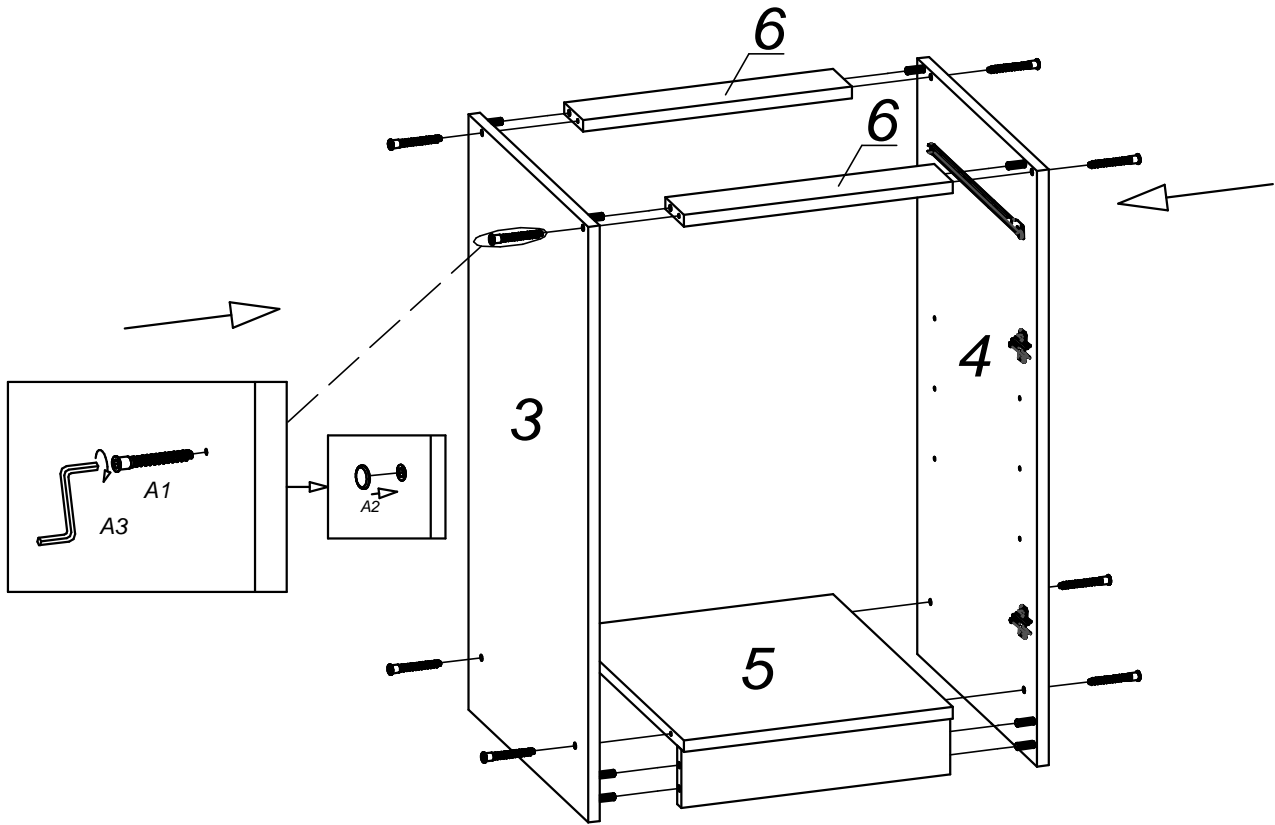
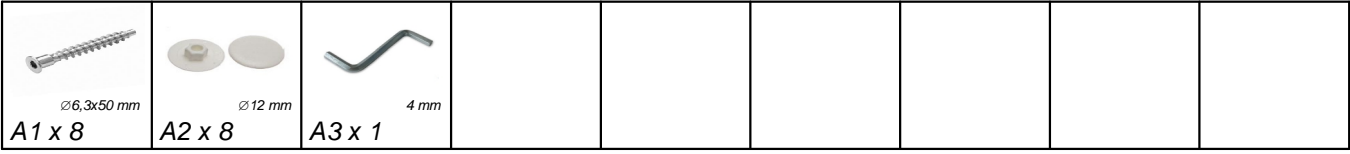
1



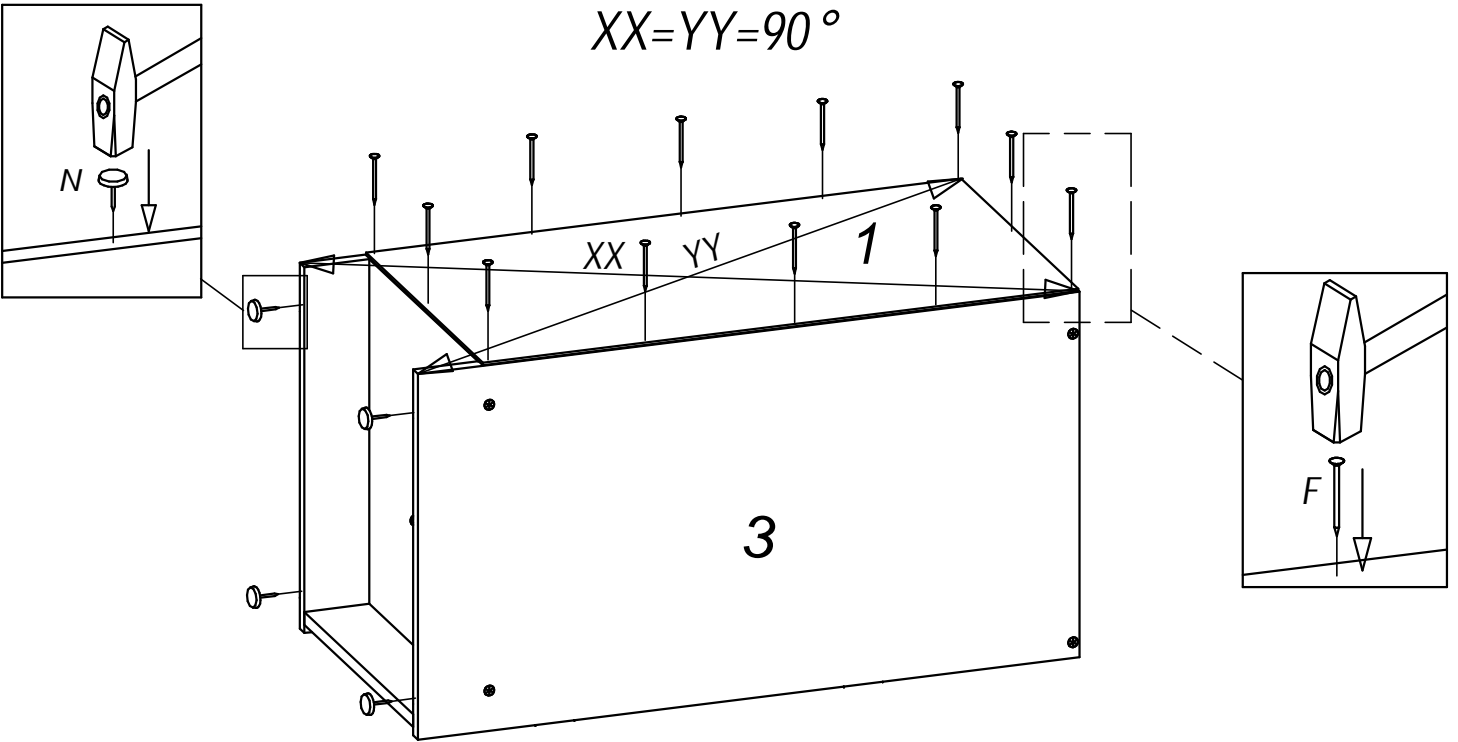
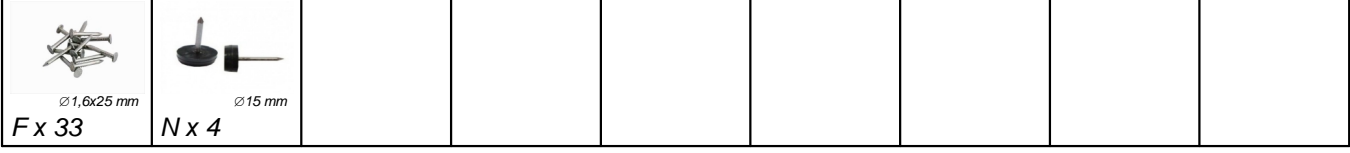
2




3

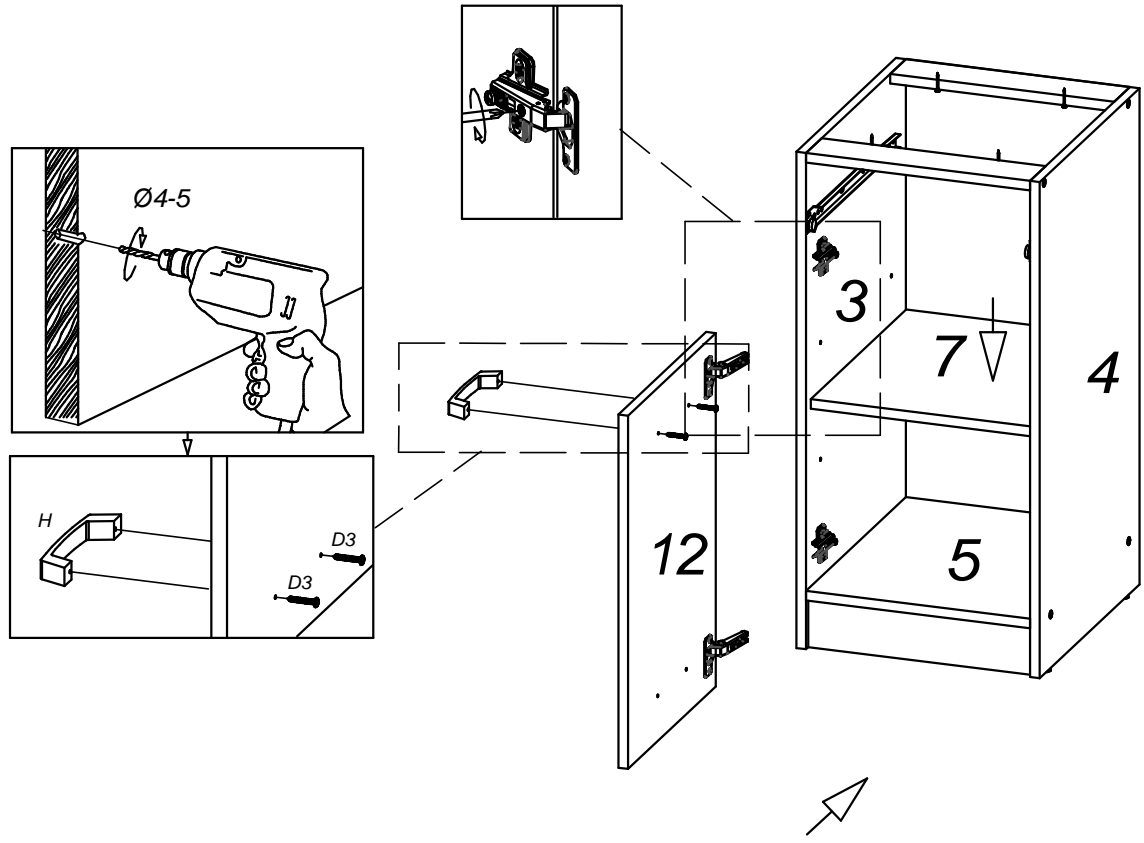


4



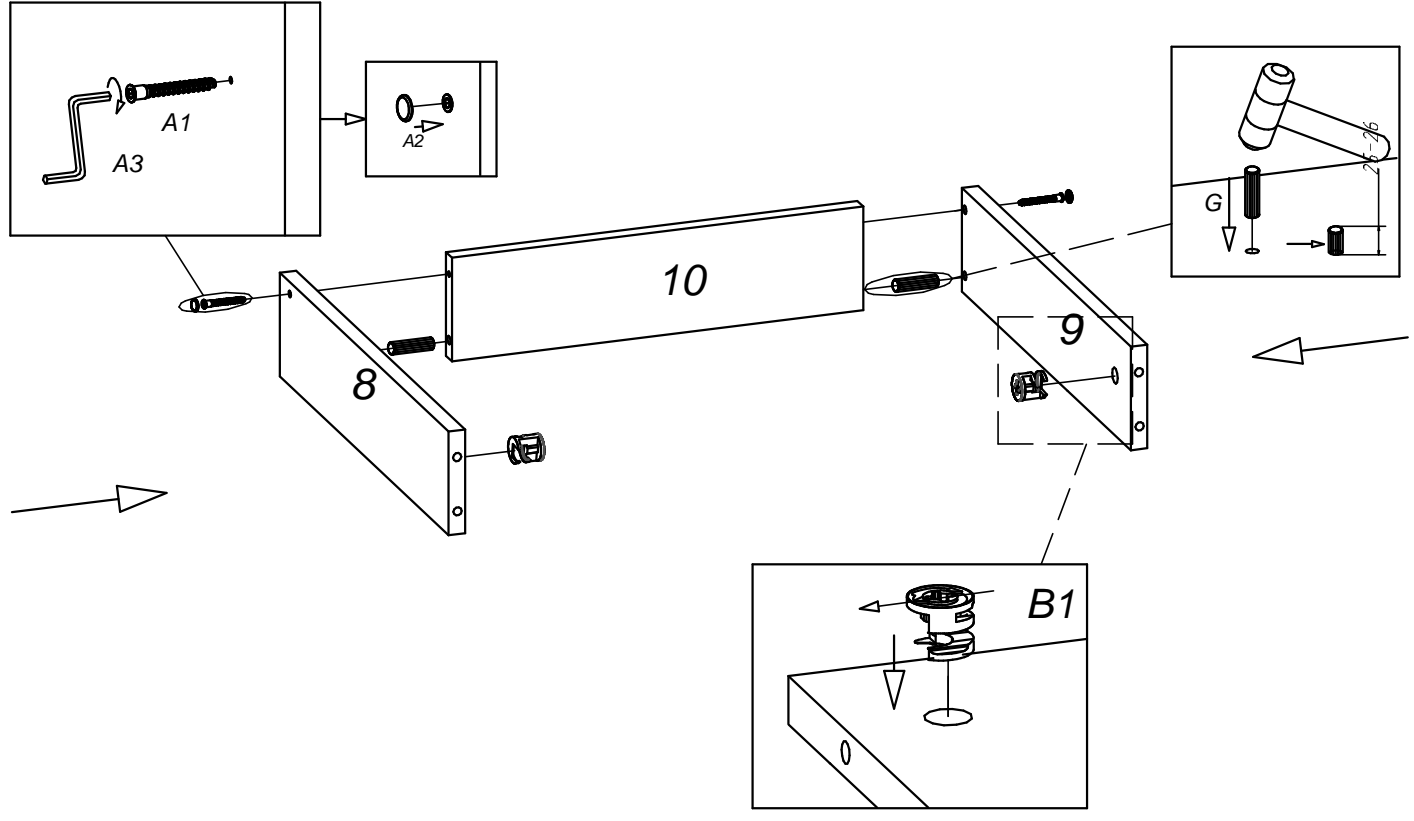
5

-   $\varnothing 4 \times 30 \text{ mm}$   
D3 x 2
-  H x 1
-  Ø4-5



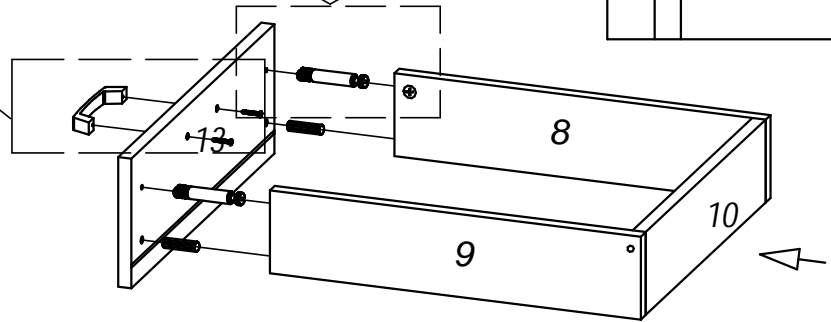
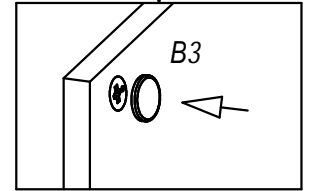
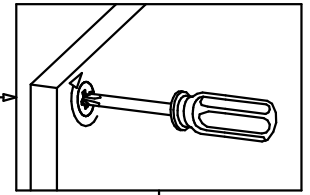
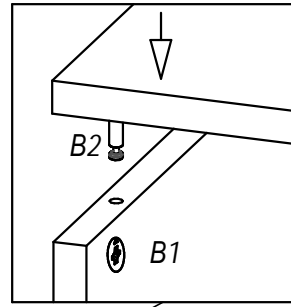
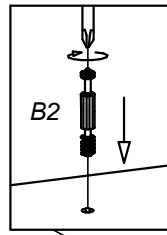
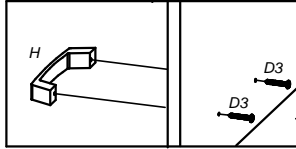
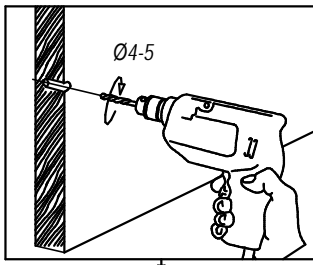
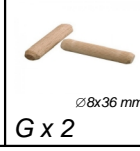
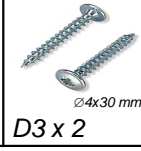
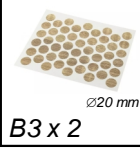
6

-   $\varnothing 6,3 \times 50 \text{ mm}$   
A1 x 2
-   $\varnothing 12 \text{ mm}$   
A2 x 2
-  4 mm  
A3 x 1
-   $\varnothing 15 \times 12 \text{ mm}$   
B1 x 2
-   $\varnothing 8 \times 36 \text{ mm}$   
G x 2





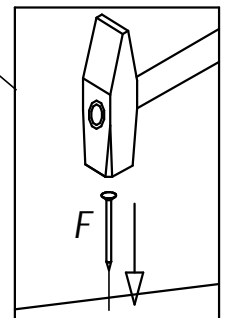
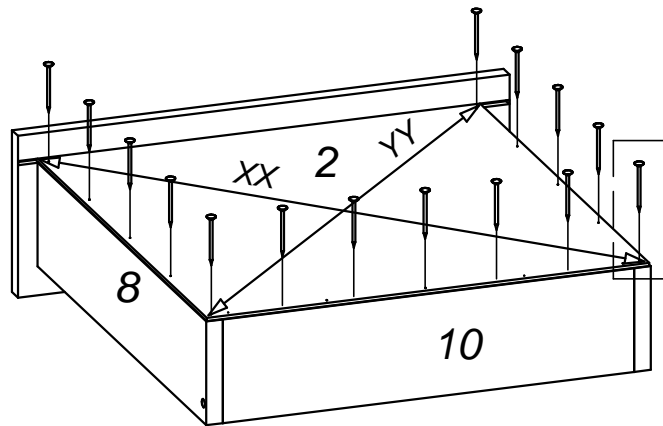
7



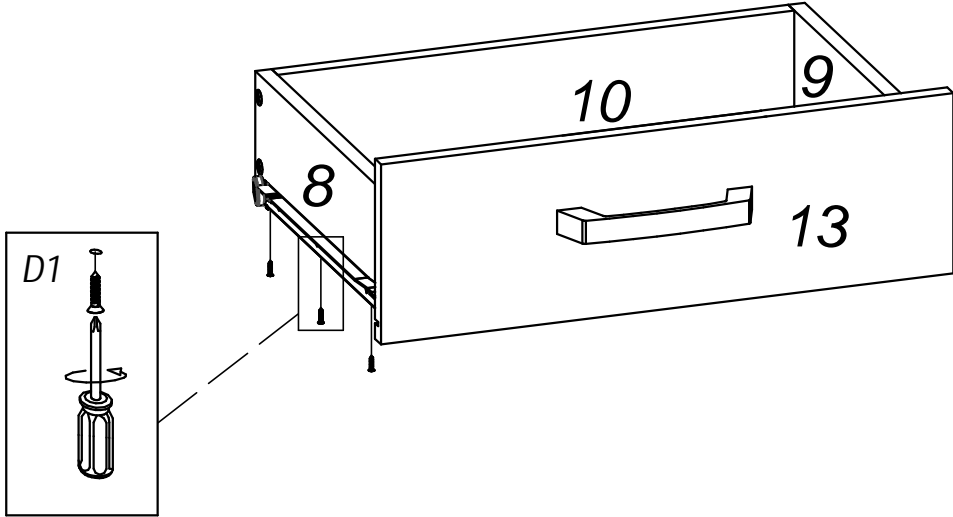
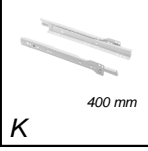
8



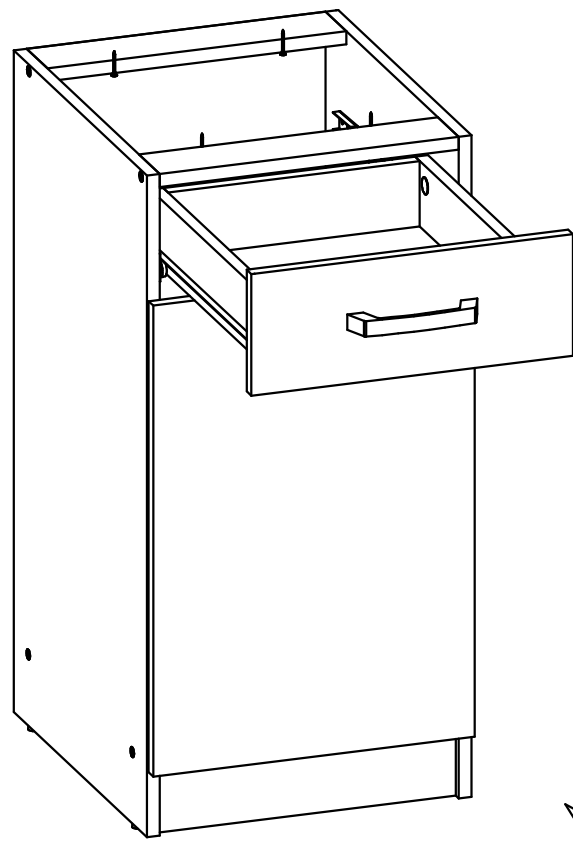
$$XX = YY = 90^\circ$$




9

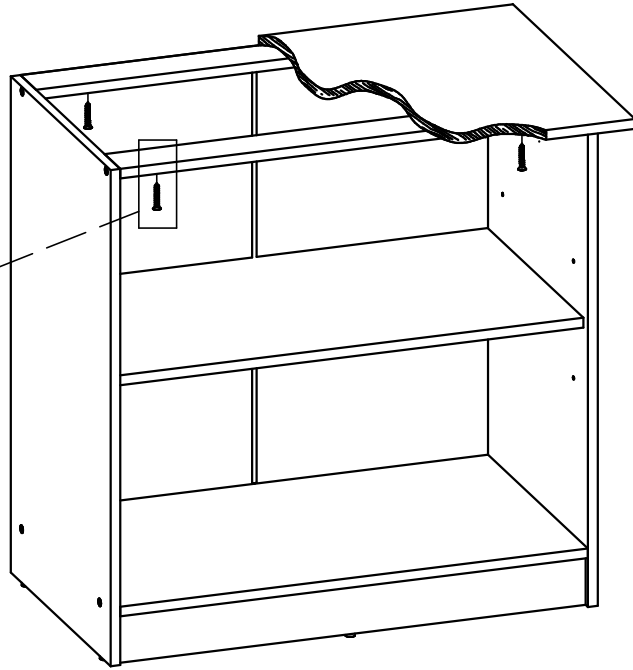
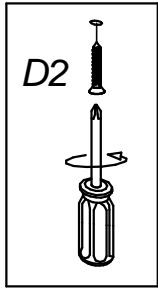


10





  
∅4x30 mm  
D2 x 4



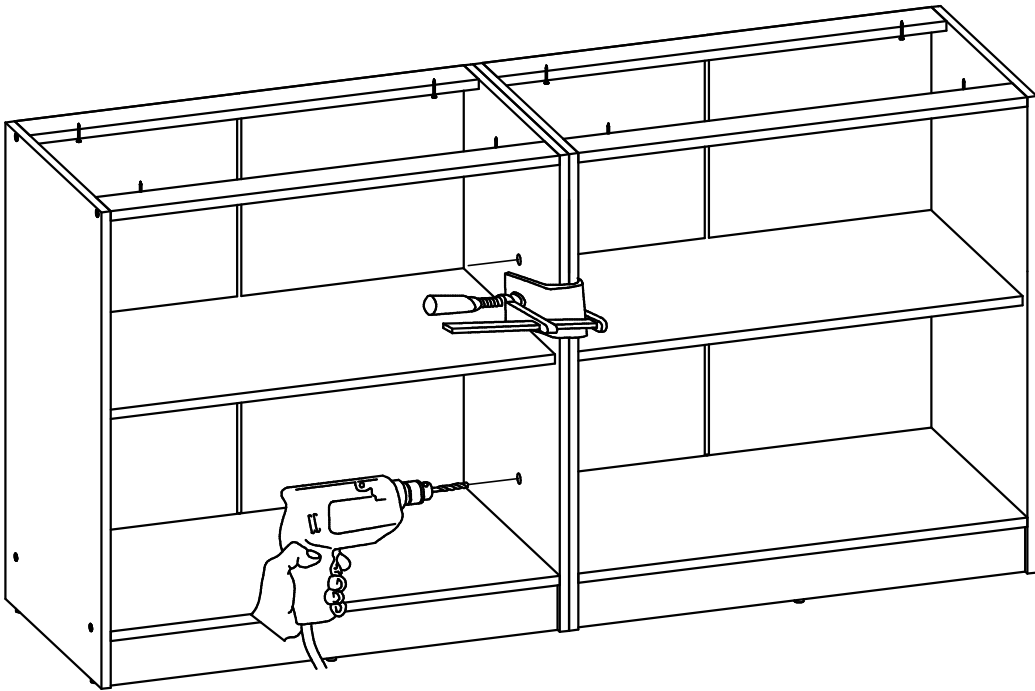


T x 2  
Ø8x30 mm



Ø8

1



2

